

# The Keys of the Kingdom

Find the 42 **bold** words from Matthew 16:13-20 (ESV)

H S N M S M F I D L S G B L B  
A U T O O A A I P T L L J I A  
I S N R T D S N E P E E O V P  
M E E H I C G H C S I E H I T  
E J E T I C P N S H L L N N I  
R R O P A O T E I P R O I G S  
E D L N R G D L O K I I O H T  
J E H P A N K E Y S A Y S S P  
S G T C I H P N E V A E H T E  
F R R B R N R E V E A L E D O  
L A A G O U B G J E L I J A H  
E H E M R L H L I A V E R P Y  
S C I O O R M C S D L I U B O  
H S C O A E R A S E A C N A U  
O K D B O U N D O G P E T E R

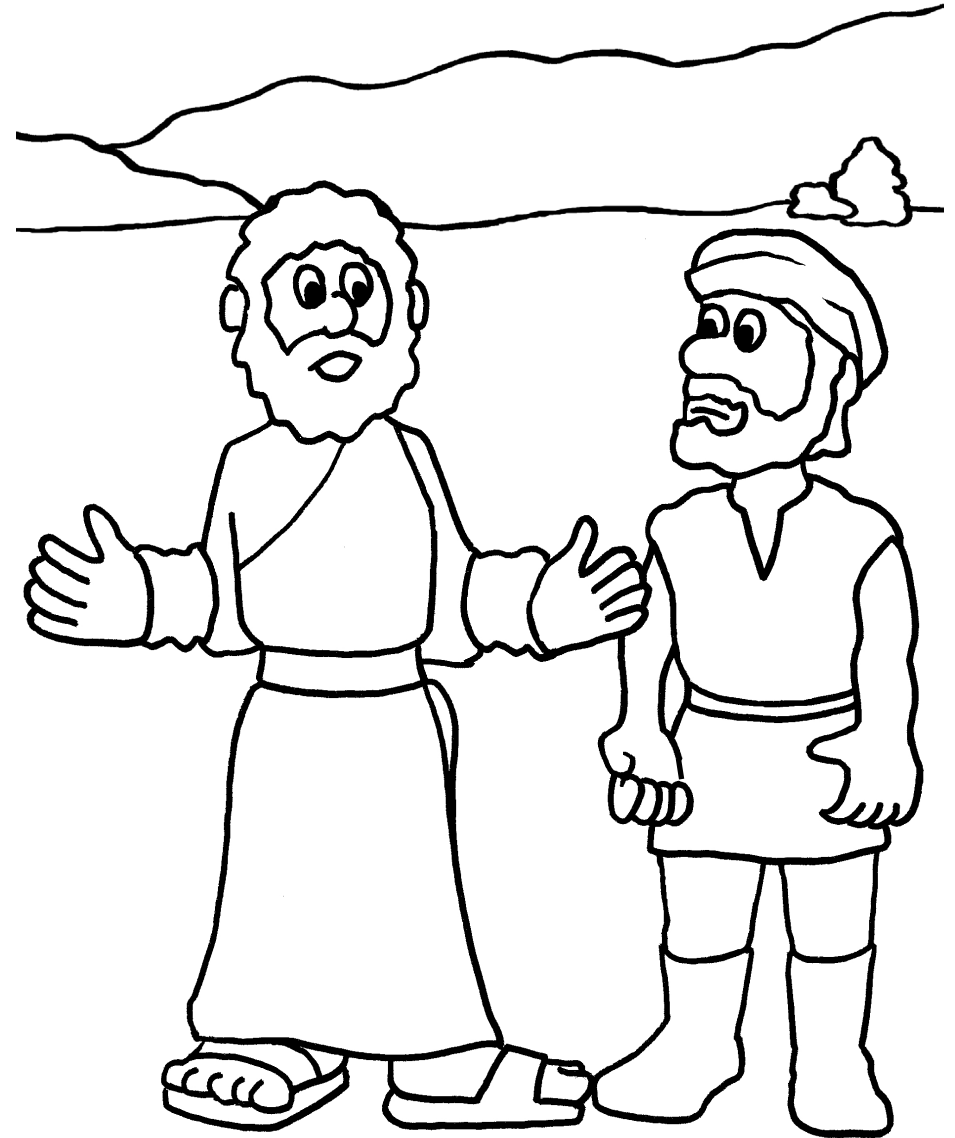
Now when **Jesus** came into the district of **Caesarea Philippi**, he asked his **disciples**, “Who do **people** say that the Son of **Man** is?” And they said, “Some say **John the Baptist**, others say **Elijah**, and others **Jeremiah** or one of the **prophets**.” He said to them, “But who do **you** say that I am?” **Simon Peter** replied, “You are the **Christ**, the **Son** of the **living God**.” And Jesus answered him, “**Blessed** are you, Simon **Bar-Jonah**! For **flesh** and **blood** has not **revealed** this to you, but my **Father** who is in **heaven**. And I tell you, you are Peter, and on this **rock** I will **build** my **church**, and the **gates** of **hell** shall **not prevail** against it. I will give you the **keys** of the **kingdom** of heaven, and whatever you **bind** on **earth** shall be **bound** in heaven, and whatever you **loose** on earth shall be loosed in heaven.” Then he **strictly charged** the disciples to tell no one that he was the Christ.

© The Scripture Mission, <http://scripturemission.com>. Permission granted to active Sola subscribers to photocopy for congregational use. Scripture quotations are from The Holy Bible, English Standard Version® (ESV®), copyright © 2001 by Crossway, a publishing ministry of Good News Publishers. Used by permission. All rights reserved.



# Today's Gospel Lesson

Thirteenth Sunday after Pentecost  
August 27, 2023

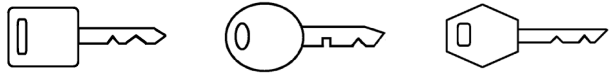


Peter was not afraid to say that Jesus was God's son.

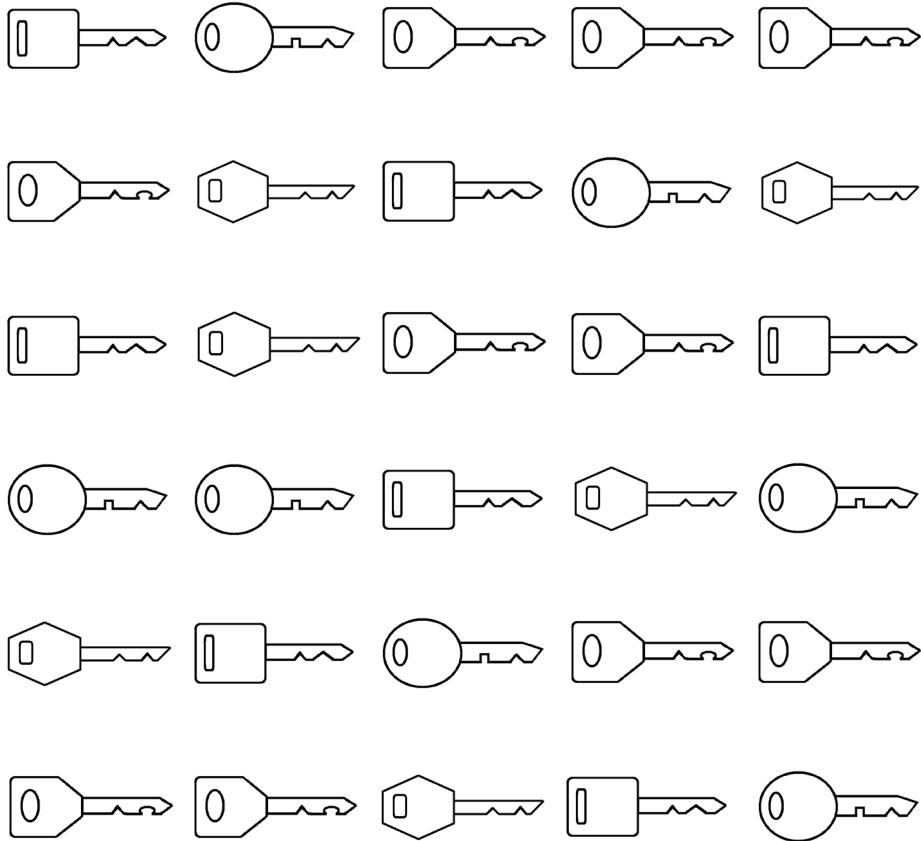
# Children's Worship Pages

Peter told a lot of people the good news about Jesus.  
He knew that faith is the key that sets people free!

Find the way to freedom by following the keys  
from start to finish in this order:



Start



Finish

Jesus said to Peter,  
"I will give you the keys of the kingdom of heaven."  
(Matthew 16:19a)

Peter was one of Jesus' apostles.  
All of the apostles believed that Jesus was God's son,  
but Peter bravely said it out loud.  
What else do you know about Peter?

See if you can read the facts about Peter that are written  
on the other side of this door. Hint: they are backwards!  
Can you write them correctly on the lines beside the door?

reteP

selpicsid fo redaeL  
weJ  
nomiS saw emaN  
hcaerp ot tsrif ehT  
selitneG ot  
werdnA deman  
rehtorB  
namrehsiF  
retaw no deklaW  
'suseJ fo enO  
sdneirf tsesolc



Come in!

We're open

---

---

---

---

---

---

---

---

---

---

---

---

---

---

---

---